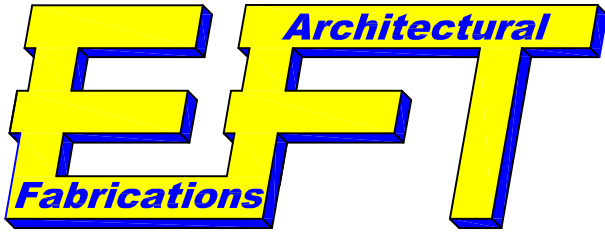


# LOUVRE SCHEDULE

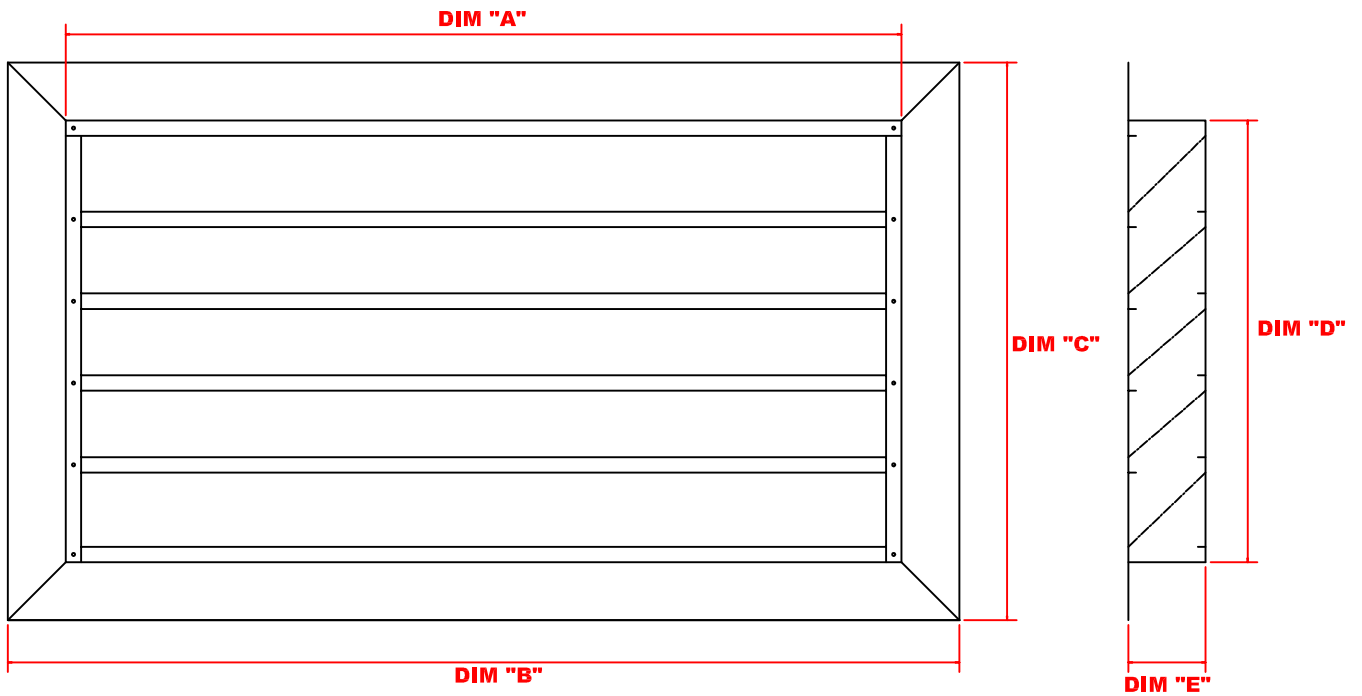


Job No : .....

Customer : .....

Site Address : .....

Despatch Date Req : .....



REFERANCE	
MATERIAL	
COLOUR	
MESH TYPE	
DIM "A"	
DIM "B"	
DIM "C"	
DIM "D"	
DIM "E"	
QUANTITY	